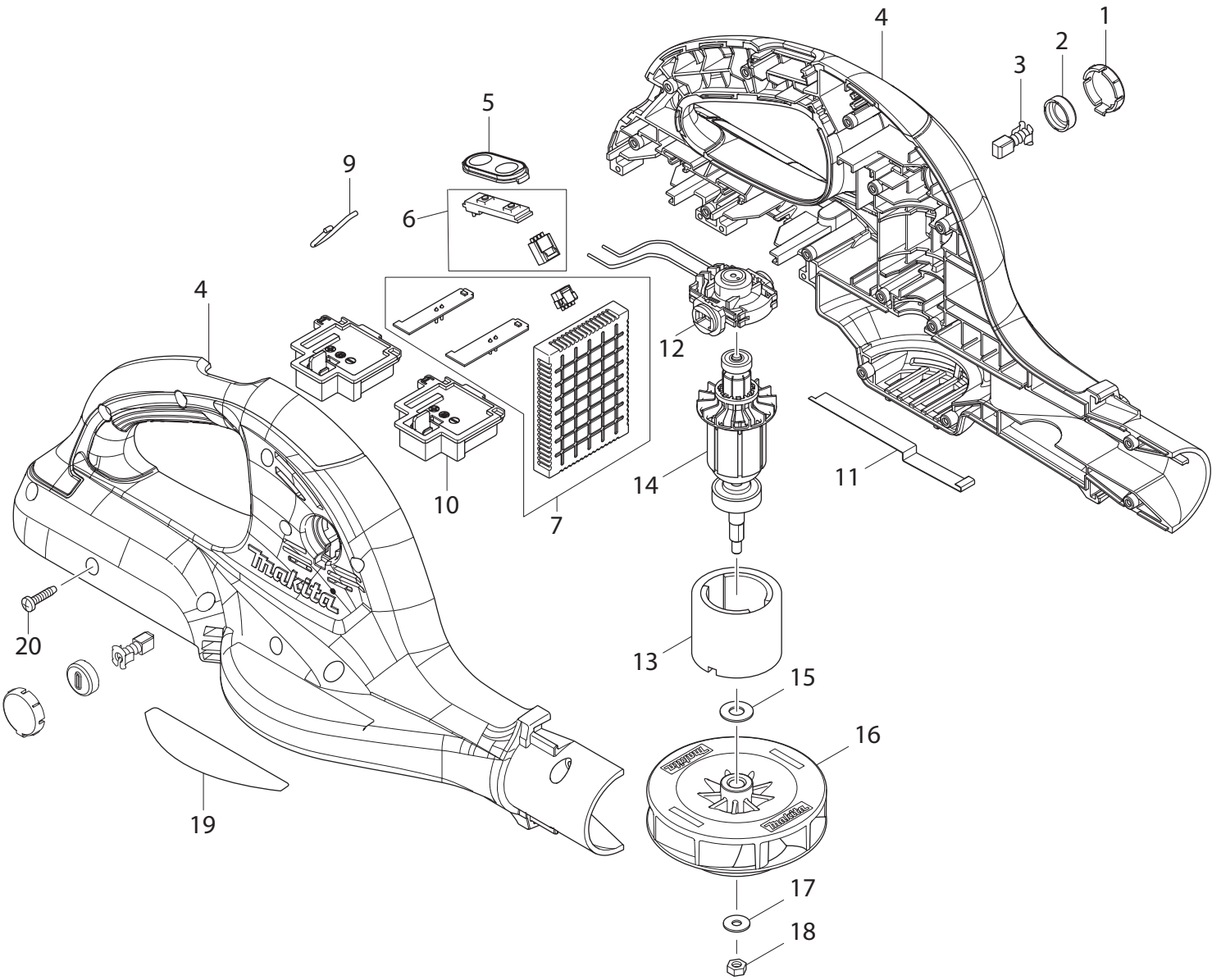




01 - 2014
DUB361Z
18V x2 DIRECT BLOWER



Item No	Type	Part No	Description	Qty	Unit
1		452145-4	HOLDER CAP COVER	2	PC.
2		643929-3	BRUSH HOLDER CAP	2	PC.
3		195018-5	CARBON BRUSH CB-430 2/SET	1	SET
4		187853-5	HOUSING SET	1	SET
	INC.	263005-3	RUBBER PIN 6	4	PC.
	INC.	803N79-2	CAUTION LABEL	1	PC.
5		140463-9	SWITCH PLATE COMPLETE	1	PC.
6		620282-4	SWITCH COMPLETE	1	PC.
7		620276-9	CONTROLLER	1	PC.
9		325973-9	HANGER	1	PC.
10		644808-8	TERMINAL	2	PC.
11		346328-5	EARTH PLATE	1	PC.
12		632B93-7	ENDBELL COMPLTE	1	PC.
13		638420-4	YOKE UNIT	1	PC.
14		619260-9	ARMATURE	1	PC.
15		253865-1	FLAT WASHER 8	1	PC.
16		240124-2	FAN 95	1	PC.
17		253194-2	FLAT WASHER 5	1	PC.
18		252177-9	HEX. NUT M5-8	1	PC.
19		815N43-1	NAME PLATE F/DUB361Z	1	PC.
20		265995-6	TAP SCREW 4X18	14	PC.
100		654510-5	INSULATED CONNECTOR 5.5-SD	2	PC.
101		876044-0	CARTON F/DUB361Z	1	PC.
<u>ACCESSORIES</u>		- See Catalogue or visit www.makita.ca for more accessories -			
A01		166095-4	SHOULDER BELT	1	PC.
A02		452123-4	LONG NOZZLE	1	PC.
A03		-----	18V LI-ION BATTERY		
A04		-----	BATTERY CHARGER		
A05		-----	LI-ION BATTERY ACCESSORIES		
A06		831278-2	TOOL BAG, BLUE	1	PC.